

6

5

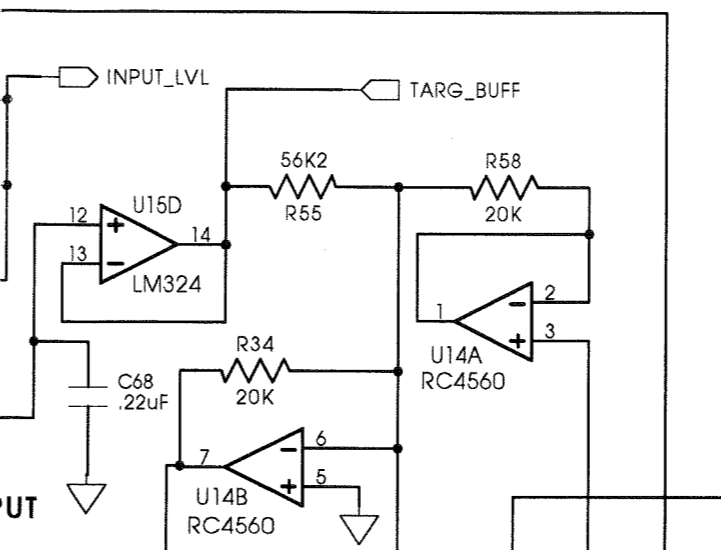
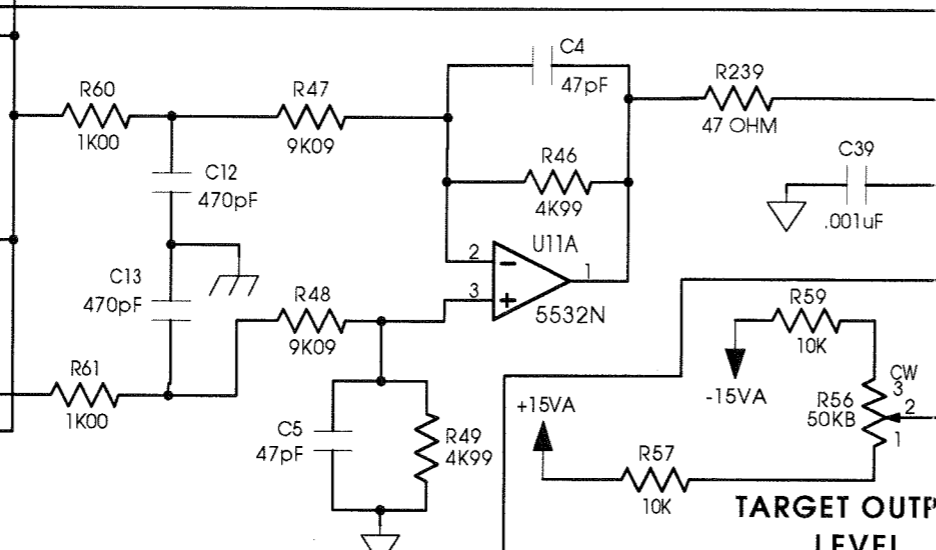
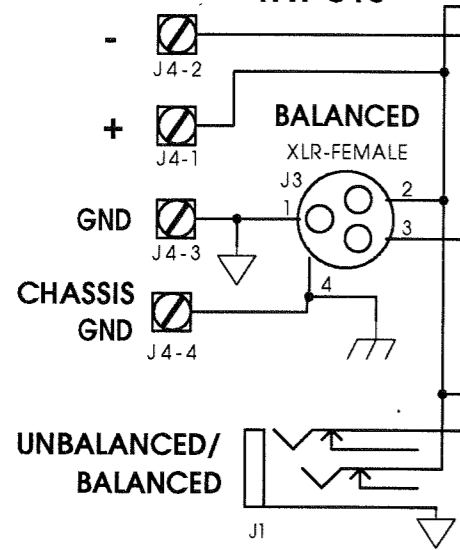
4

3

2

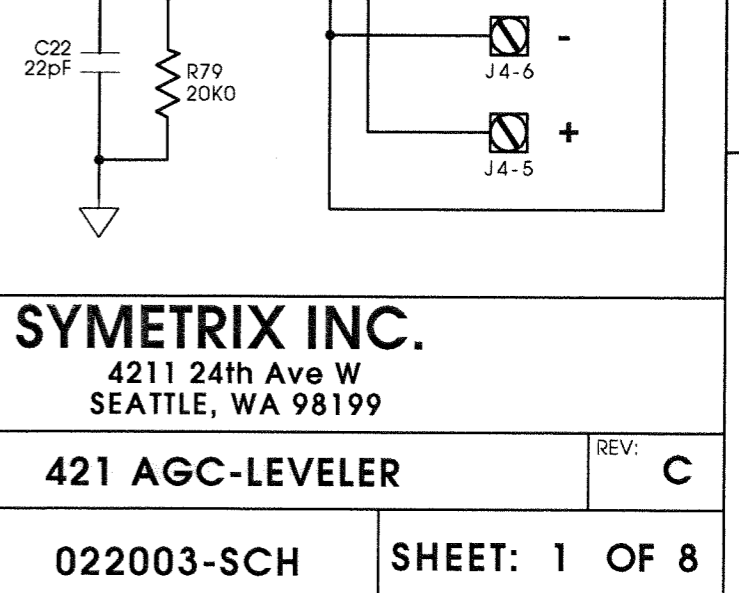
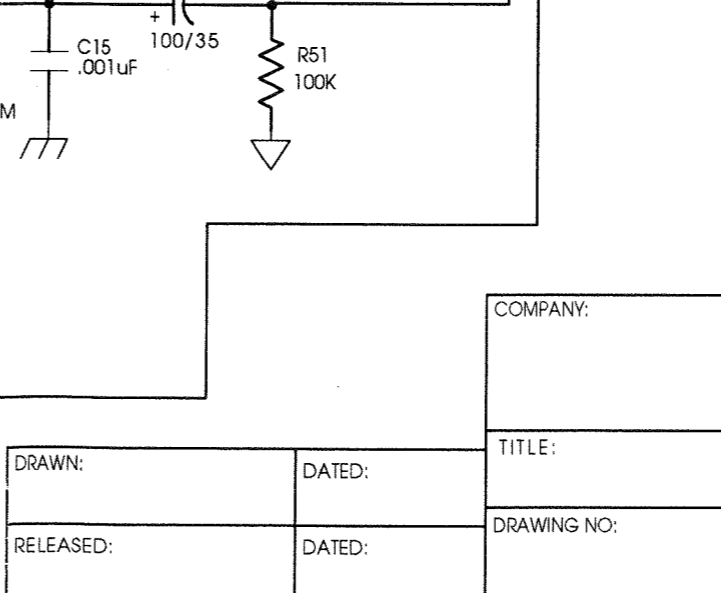
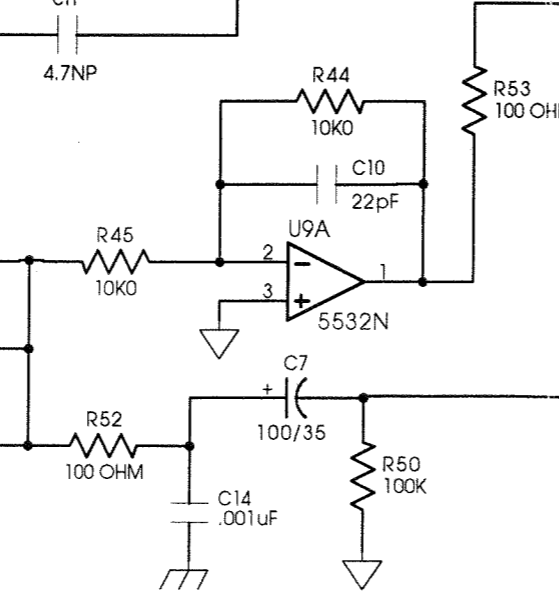
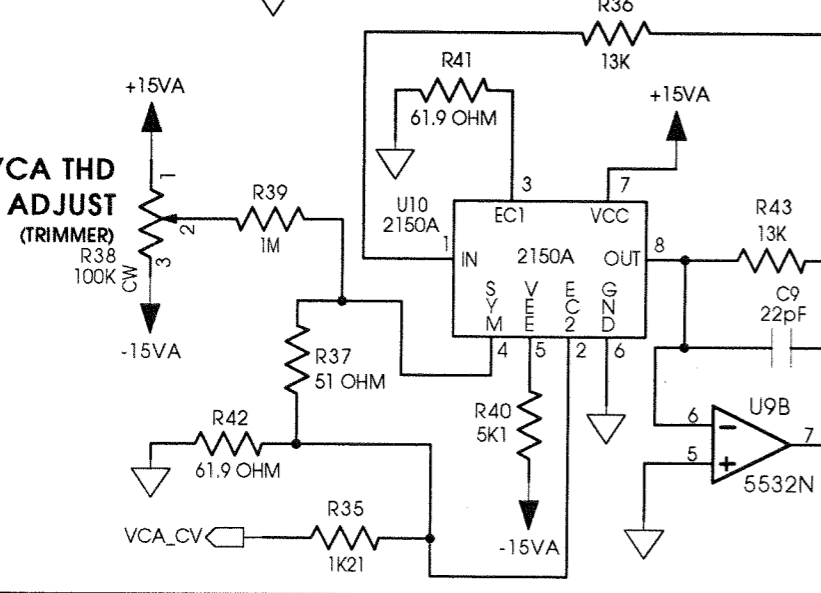
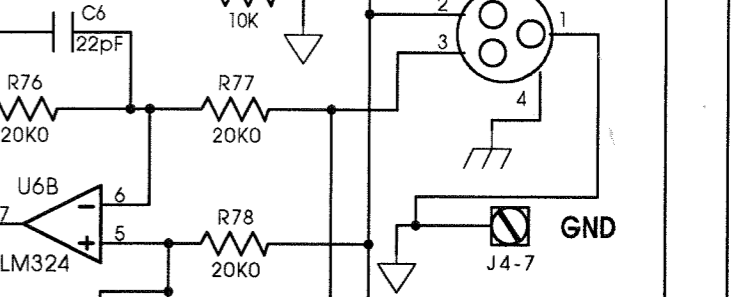
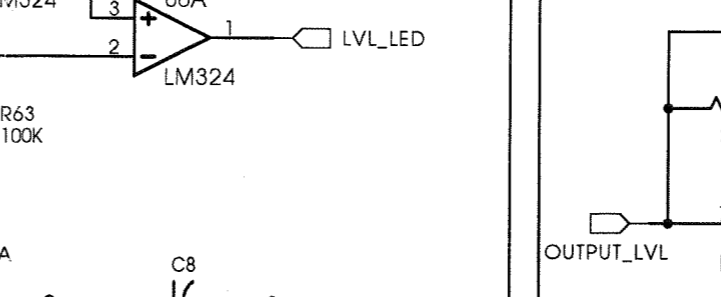
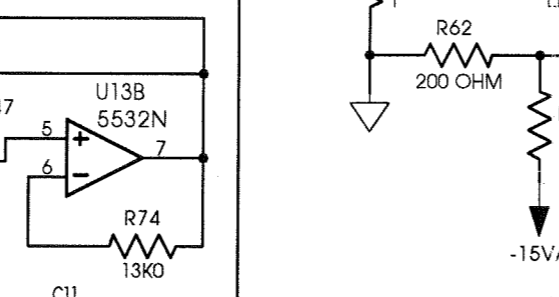
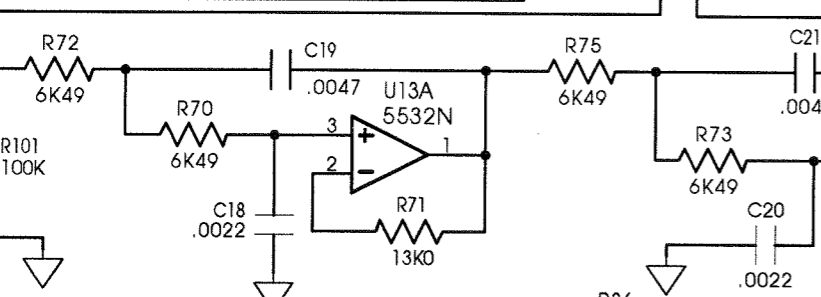
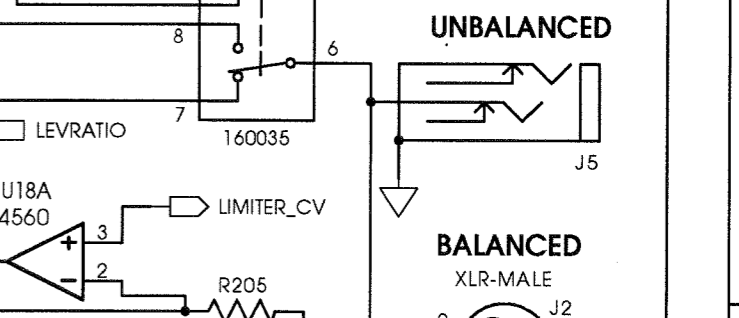
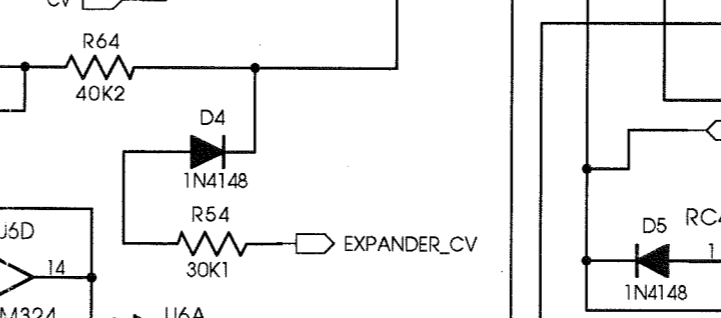
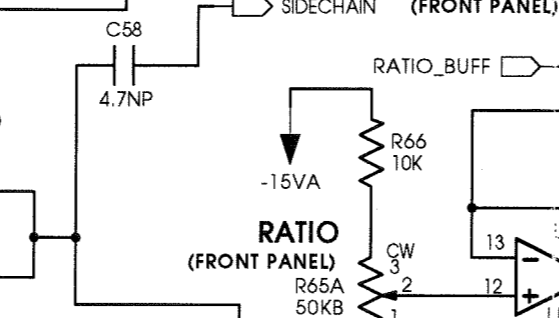
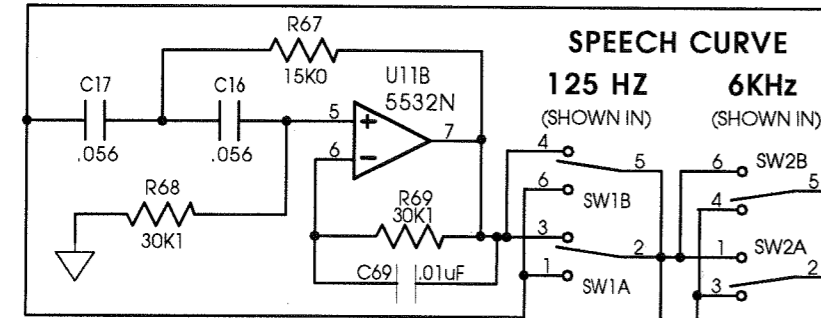
1

INPUTS



REVISION RECORD		
LTR	REVISIONS DONE OR ECO NUMBER:	DATE:

SPEECH CURVE



COMPANY: **SYMETRIX INC.**
 4211 24th Ave W
 SEATTLE, WA 98199

TITLE: **421 AGC-LEVELER**

DRAWING NO: **022003-SCH**

SHEET: **1 OF 8**

REV: **C**

D

D

C

C

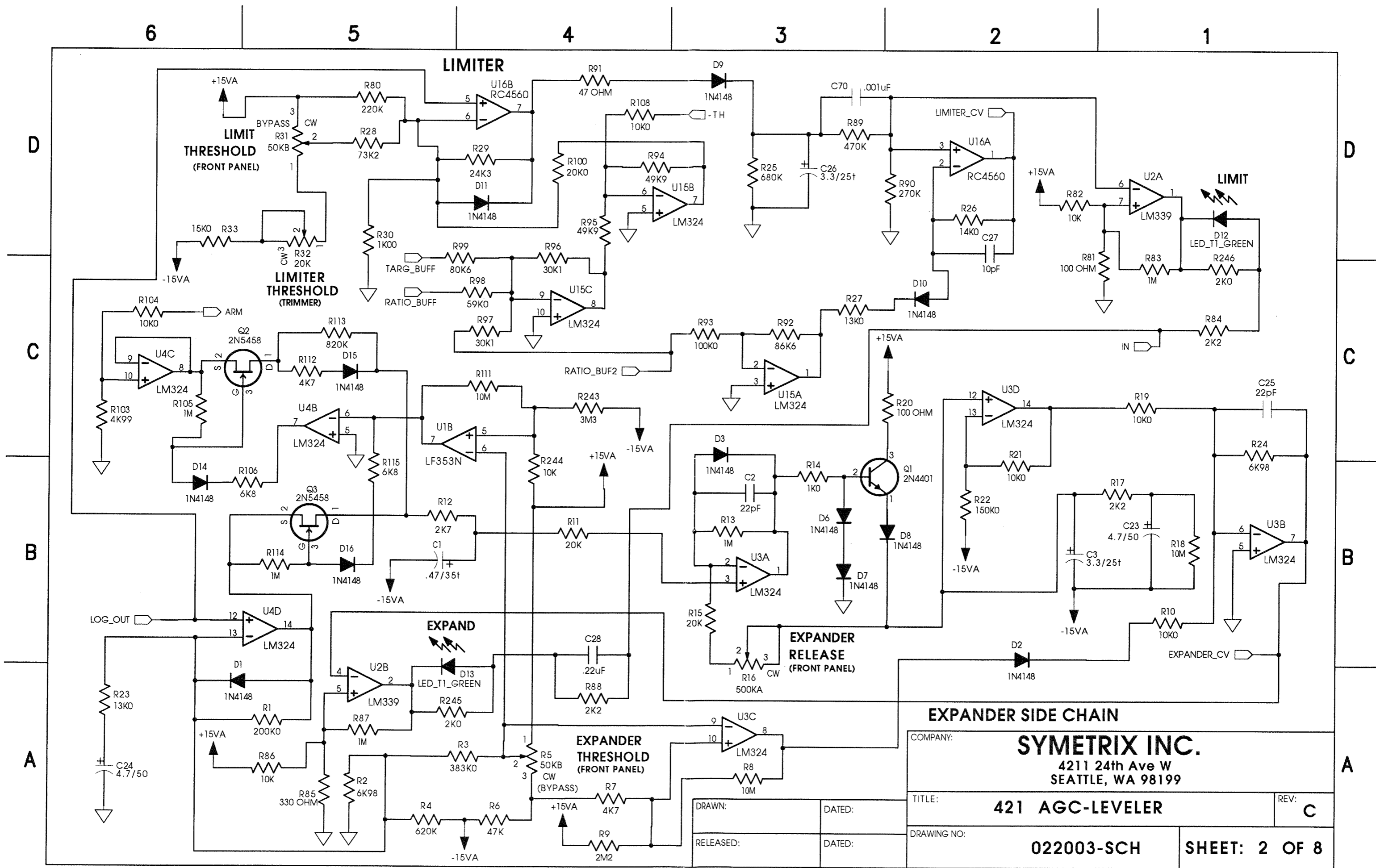
B

B

A

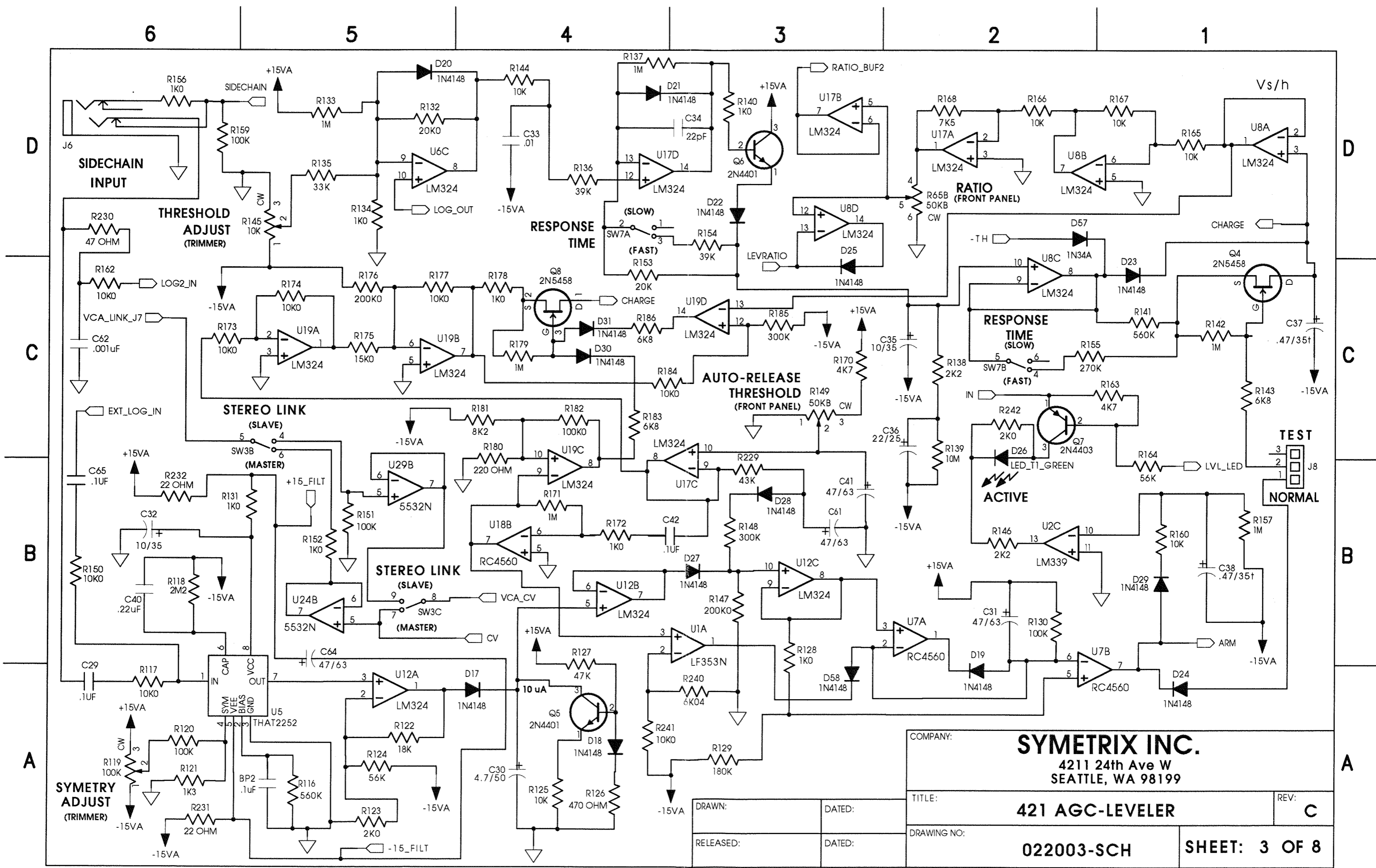
A

DRAWN:	DATED:
RELEASED:	DATED:



COMPANY:		SYMETRIX INC.	
		4211 24th Ave W SEATTLE, WA 98199	
TITLE:		421 AGC-LEVELER	REV: C
DRAWING NO:		022003-SCH	SHEET: 2 OF 8

DRAWN:	DATED:
RELEASED:	DATED:



COMPANY: **SYMETRIX INC.**
 4211 24th Ave W
 SEATTLE, WA 98199

TITLE: **421 AGC-LEVELER**

DRAWING NO: **022003-SCH**

SHEET: **3 OF 8**

REV: **C**

DRAWN: _____ DATED: _____

RELEASED: _____ DATED: _____

6

5

4

3

2

1

D

C

B

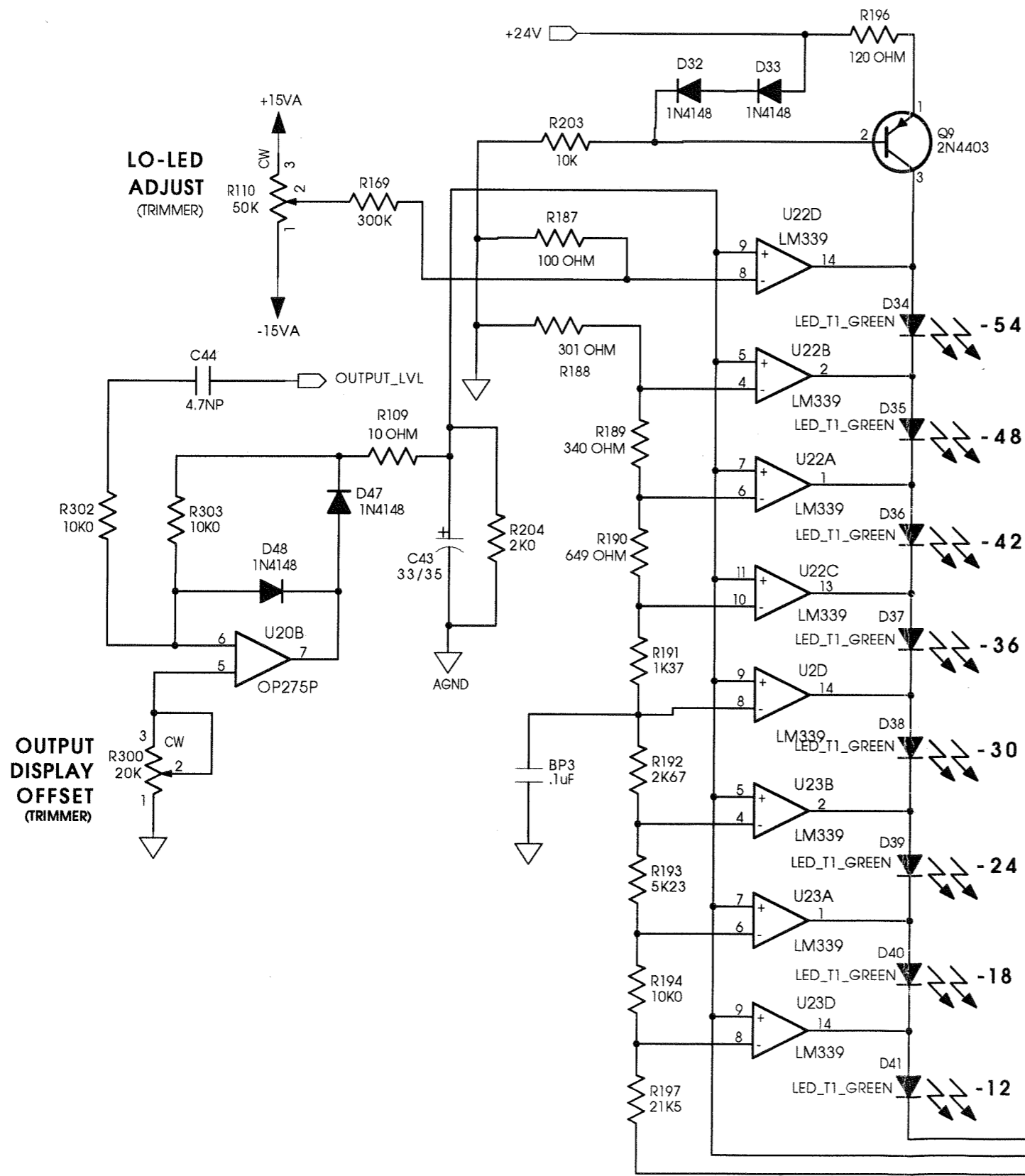
A

D

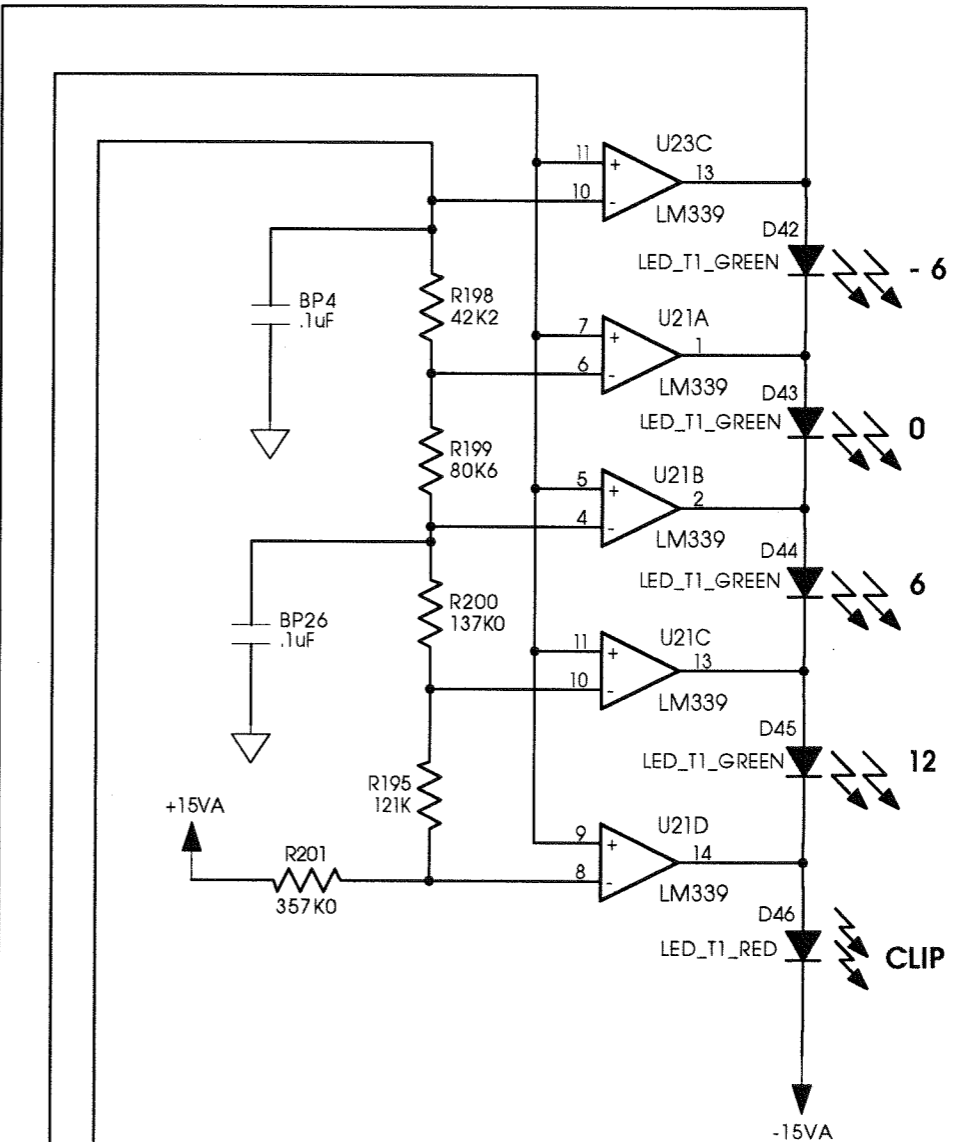
C

B

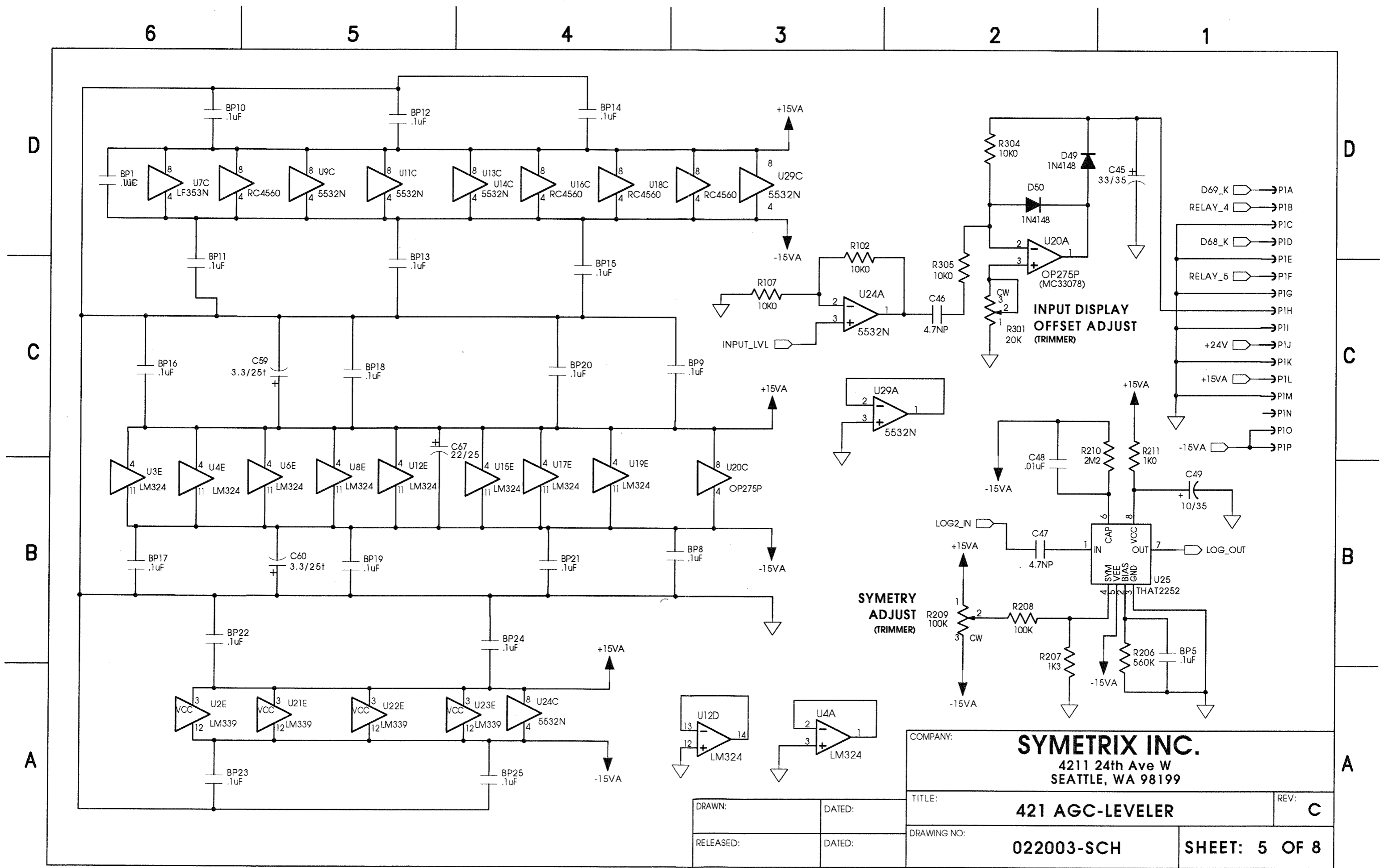
A



OUTPUT LED DISPLAY



COMPANY:		SYMETRIX INC.	
		4211 24th Ave W SEATTLE, WA 98199	
TITLE:	421 AGC-LEVELER	REV:	C
DRAWING NO:	022003-SCH	SHEET:	4 OF 8



COMPANY:		SYMETRIX INC.	
		4211 24th Ave W SEATTLE, WA 98199	
TITLE:	421 AGC-LEVELER	REV:	C
DRAWING NO:	022003-SCH	SHEET: 5 OF 8	

DRAWN:	DATED:
RELEASED:	DATED:

6

5

4

3

2

1

D

D

C

C

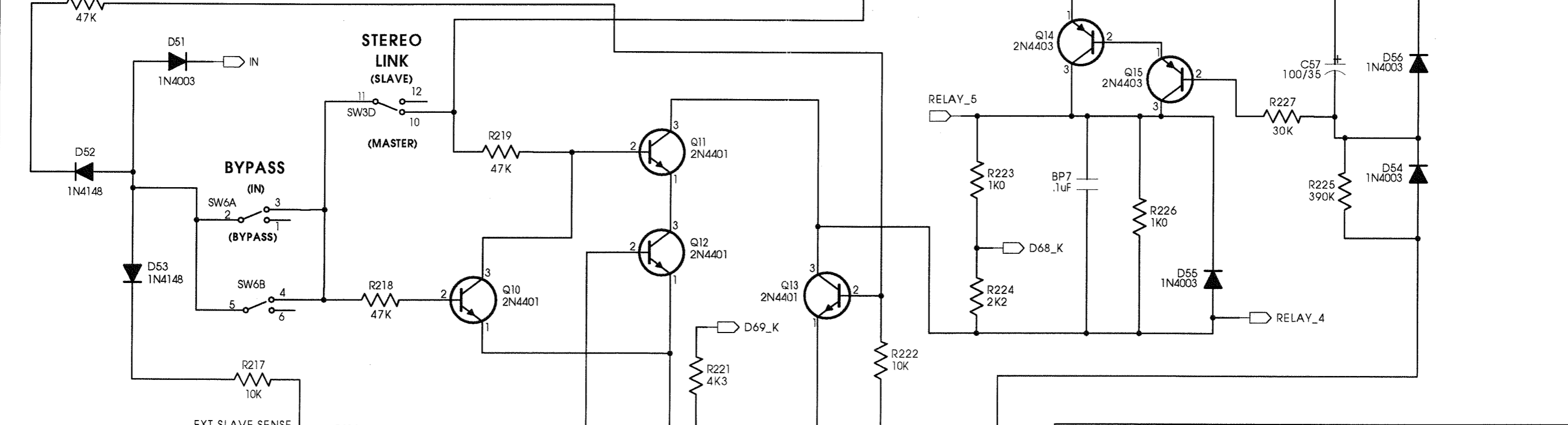
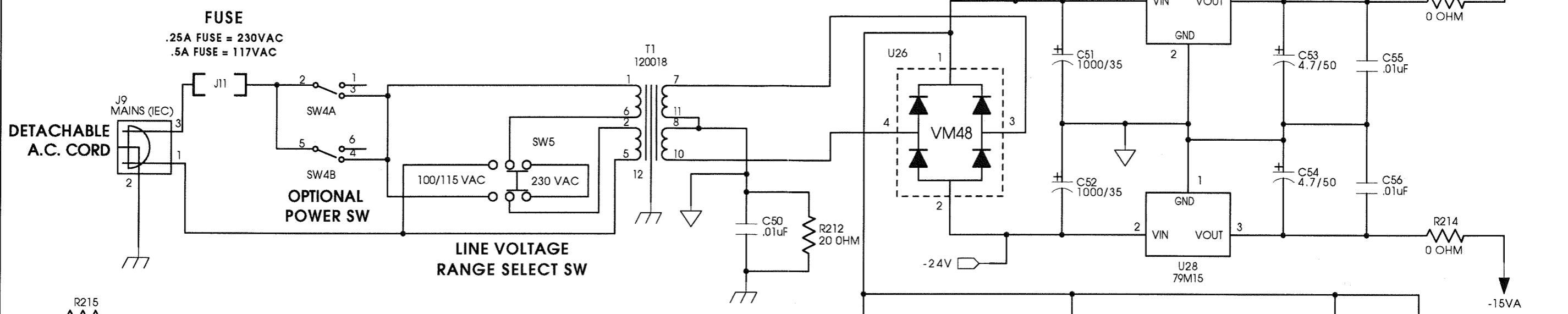
B

B

A

A

POWER SUPPLY



COMPANY:		SYMETRIX INC.	
		4211 24th Ave W SEATTLE, WA 98199	
TITLE:		421 AGC-LEVELER	REV: C
DRAWING NO:		022003-SCH	SHEET: 6 OF 8

DRAWN:	DATED:
RELEASED:	DATED:

6

5

4

3

2

1

D

D

C

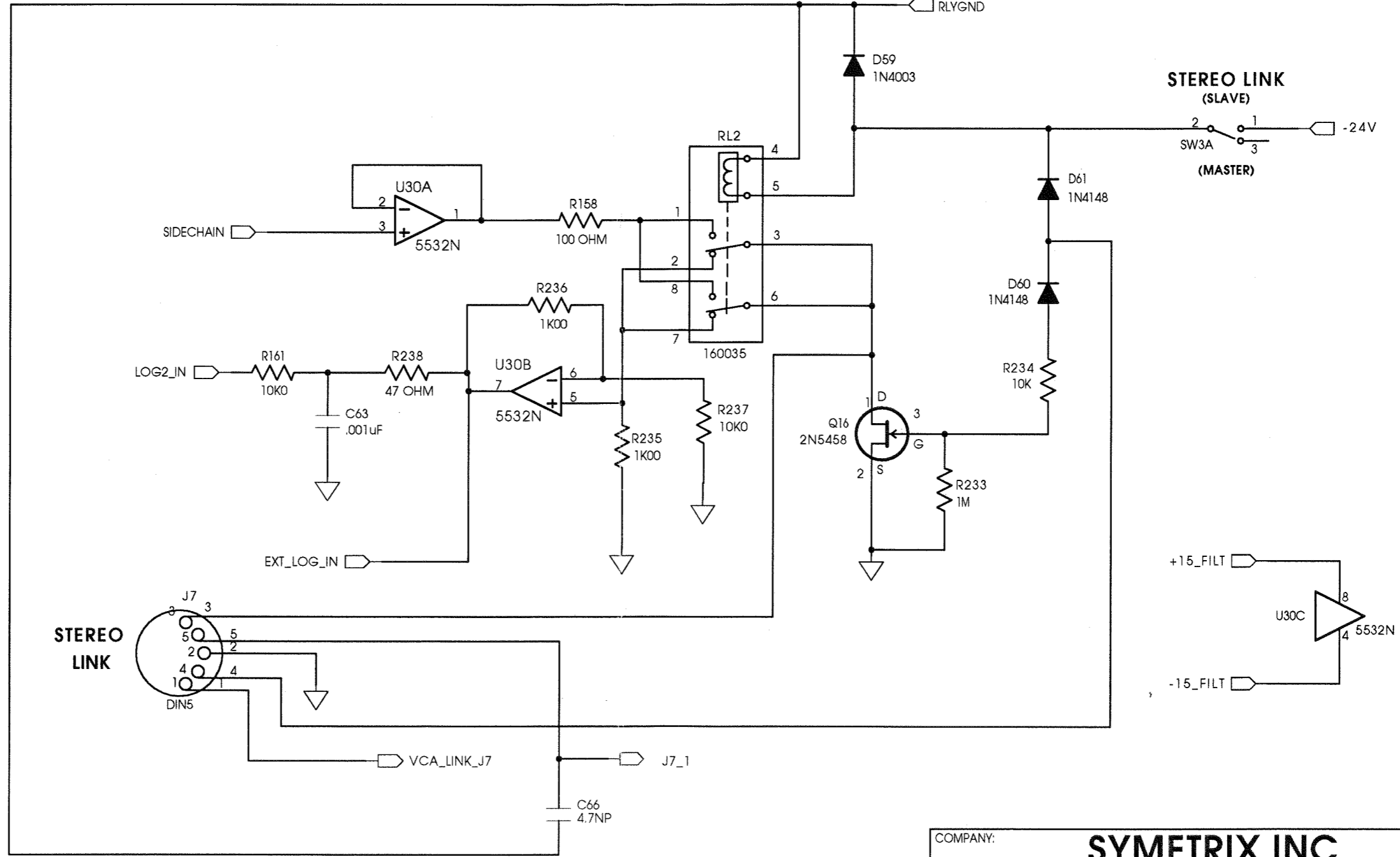
C

B

B

A

A



COMPANY:		SYMETRIX INC.	
		4211 24th Ave W SEATTLE, WA 98199	
TITLE:		421 AGC-LEVELER	REV: C
DRAWING NO:		022003-SCH	SHEET: 7 OF 8

DRAWN:	DATED:
RELEASED:	DATED:

6

5

4

3

2

1

D

D

C

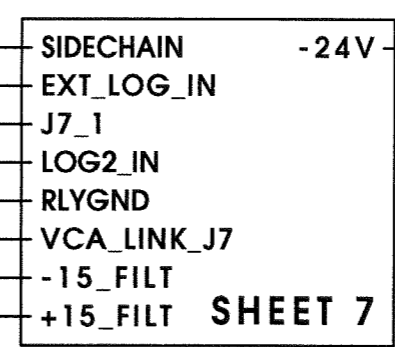
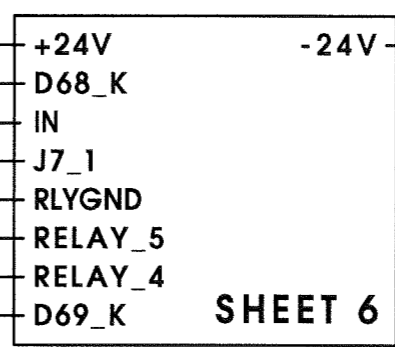
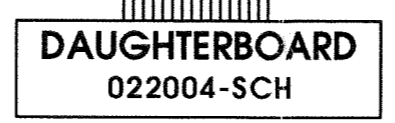
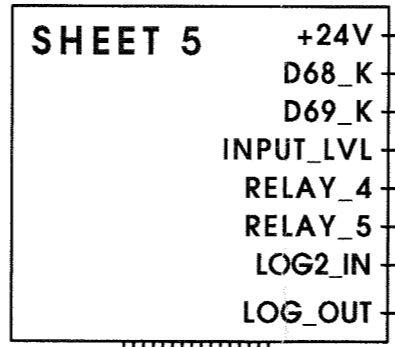
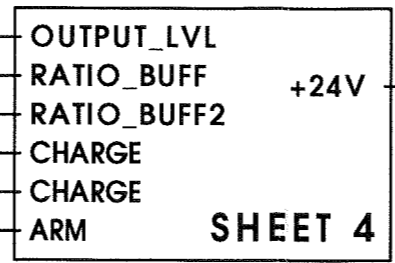
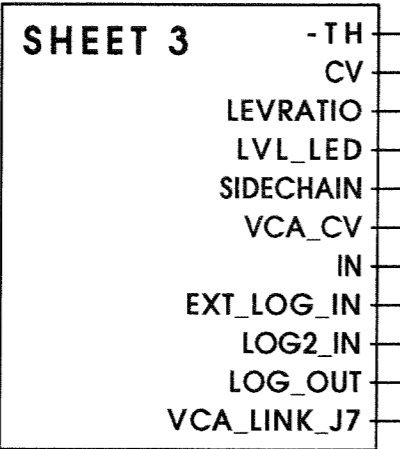
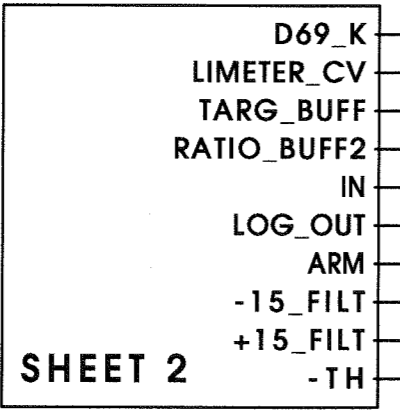
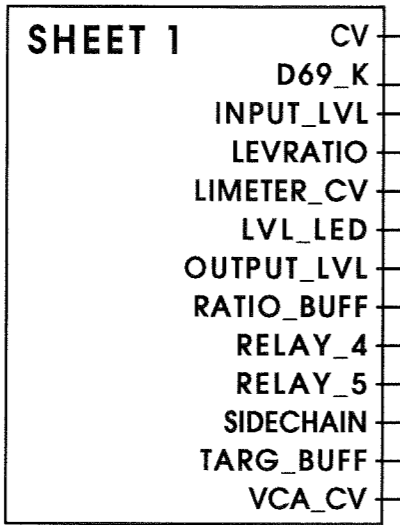
C

B

B

A

A



COMPANY: **SYMETRIX INC.**
4211 24th Ave W
SEATTLE, WA 98199

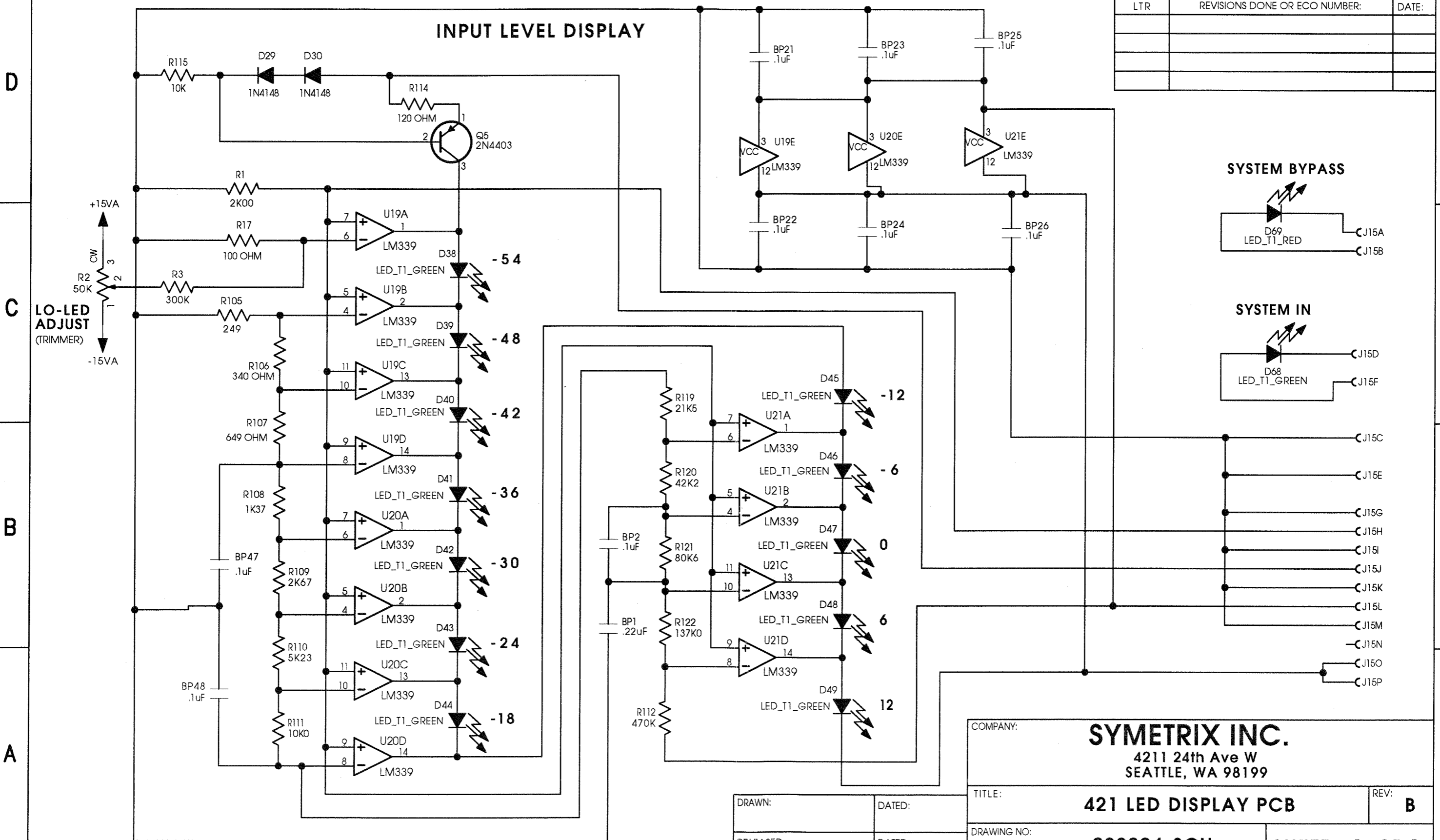
DRAWN: _____ DATED: _____
RELEASED: _____ DATED: _____

TITLE: **421 AGC-LEVELER** REV: **C**
DRAWING NO: **022003-SCH** SHEET: **8 OF 8**

6 5 4 3 2 1

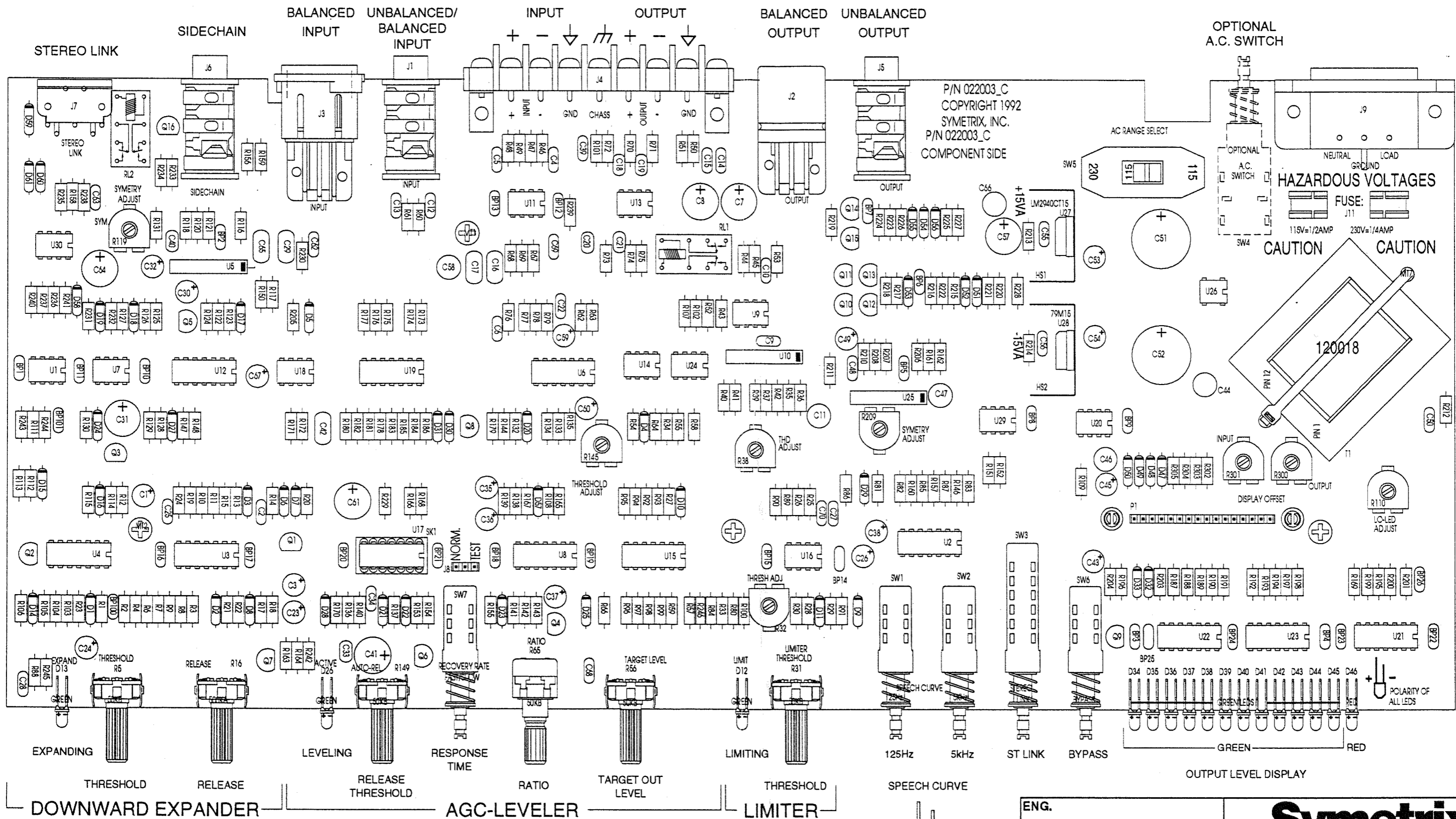
REVISION RECORD		
LTR	REVISIONS DONE OR ECO NUMBER:	DATE:

INPUT LEVEL DISPLAY



COMPANY: **SYMETRIX INC.**
 4211 24th Ave W
 SEATTLE, WA 98199

DRAWN:	DATED:	TITLE: 421 LED DISPLAY PCB	REV: B
RELEASED:	DATED:	DRAWING NO: 022004-SCH	SHEET: 1 OF 1



P/N 022003_C
 COPYRIGHT 1992
 SYMETRIX, INC.
 P/N 022003_C
 COMPONENT SIDE

OPTIONAL
 A.C. SWITCH

HAZARDOUS VOLTAGES
 FUSE:
 115V=1/2AMP 230V=1/4AMP

CAUTION CAUTION

120018

INPUT OUTPUT

DISPLAY OFFSET

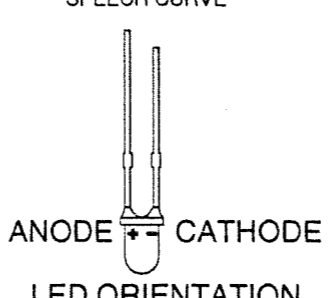
LO-LED ADJUST

OUTPUT LEVEL DISPLAY

DOWNWARD EXPANDER

AGC-LEVELER

LIMITER

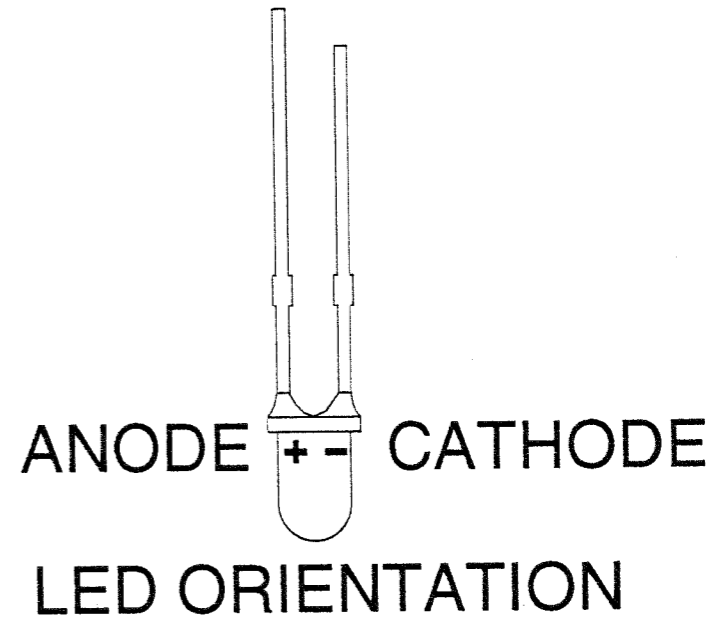
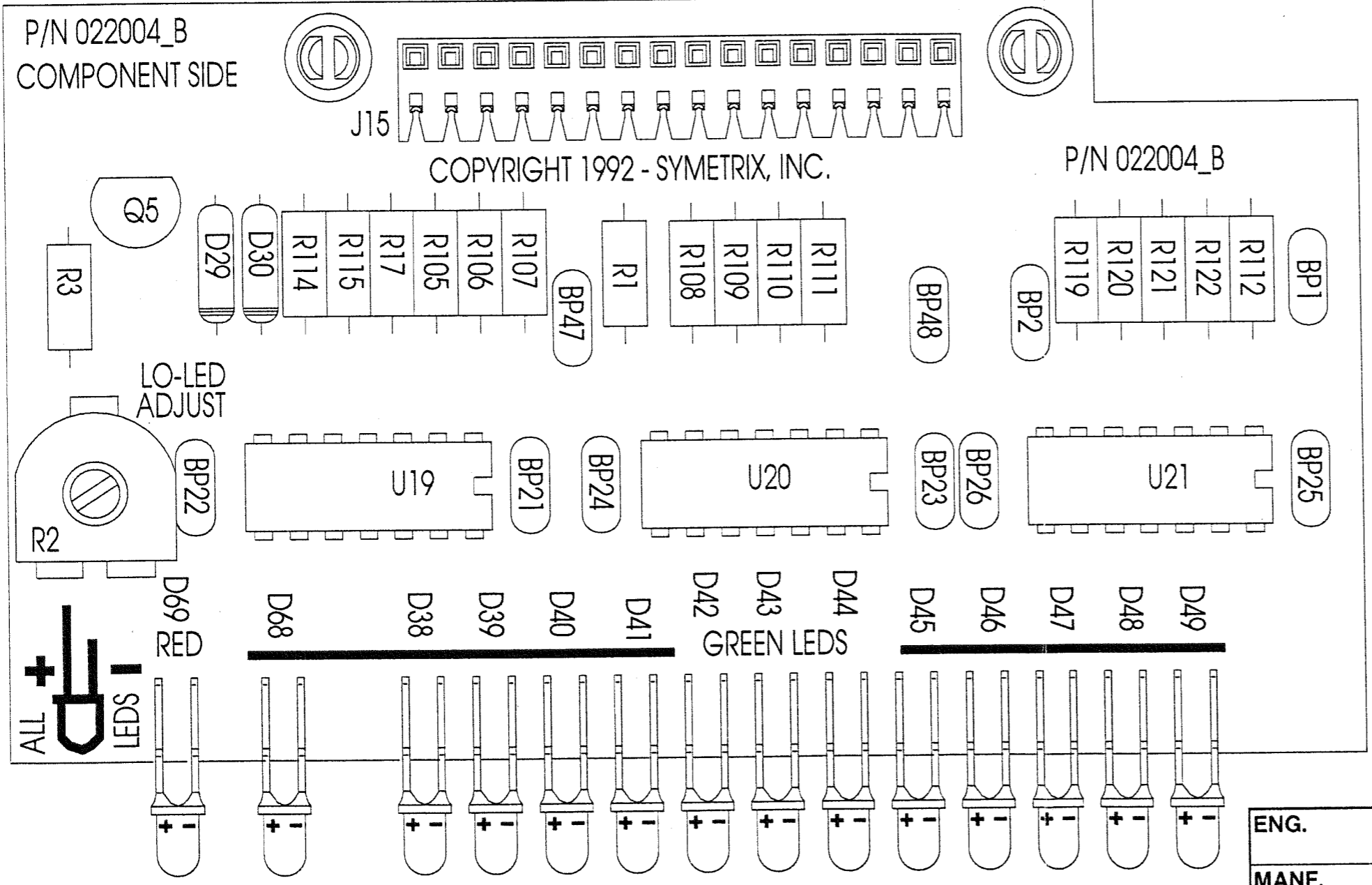


LED ORIENTATION

REV#	REVISIONS:	DATE
A	FIRST PRODUCTION RELEASE	11/12/92
B	BOARD REV'D TO REV "B"	1/13/93
C	BOARD REV'D TO REV "C"	2/1/93

ENG.	Symetrix	
MANF.		
PURCH.	TITLE 421 MOTHERBOARD ASSEMBLY DRAWING	
DATE PRINTED	DWG NO. 022003-ASY	DWG REV. C
DRAWN BY James Husted	DATE 4/10/92	SHEET 1 OF 1

REV#	REVISIONS:	DATE	REV#	REVISIONS:	DATE
A	FIRST PRODUCTION RELEASE	11/10/92			
B	BOARD REV'ED TO 'B'	1/29/93			



ENG.	Symetrix		
MANF.			
PURCH.	TITLE	421 DAUGHTERBOARD ASSEMBLY DRAWING	
DATE PRINTED	DWG NO.	022004-ASY	DWG REV. B
DRAWN BY	DATE	4/13/92	SHEET 1 OF 1
		<i>James Husted</i>	